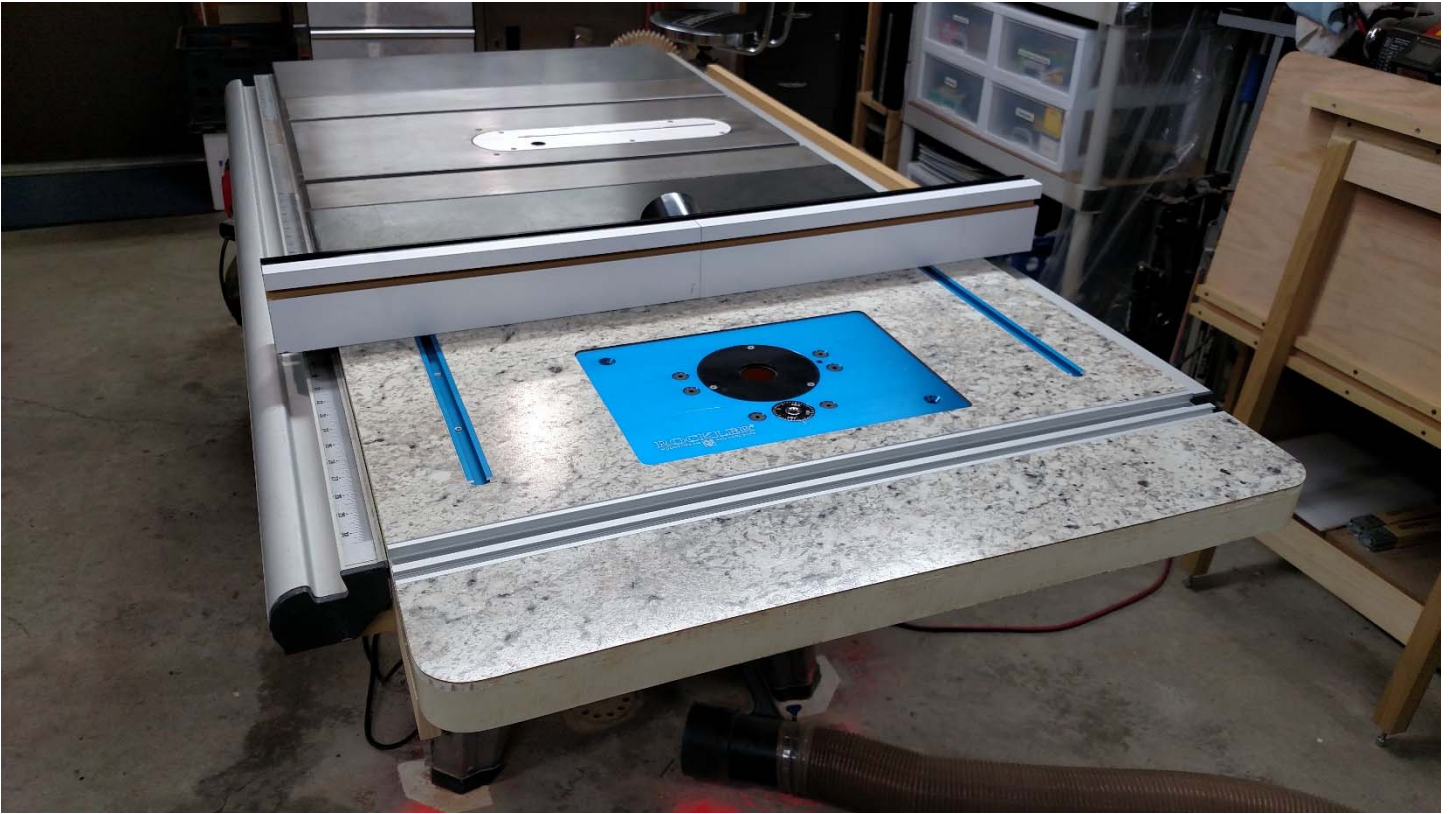


Router Table in Ridgid R4512 Table Saw



This video is about making a router table for the Ridgid R4512 Table saw from Home Depot.

Materials:

- 3/4" MDF double layer laminated
- Rockler Router Plate Template Item#20956
- Rockler Router template bit Item#33536
- Rockler level lock hardware kit Item#22994
- 5/16 x 1-1/2" bolts (4)
- 5/16 flat washers (4)
- 5/16 lock nuts (4)
- 3/4 & 1/2 Poplar
- Benchdog dual track Rockler Item#23880
- About 3' of T-track
- (4) T-track bolts & knobs for fence and power switch.

Disclaimer:

Exercise good shop safety to protect yourself.

I may have safeguards removed in my videos, but that is solely for clarity to demonstrate a process.

Keep your safeguards in place to protect yourself from injury.

- Safety Glasses
- Hearing Protection
- Lung Protection
- Push Sticks and other Guides

Links:

Gary Lundgren Crafts

www.GLCrafts.com

Follow me on Facebook www.Facebook.com/GaryLundgrenCrafts

Find me on Etsy www.GaryLundgrenCrafts.Etsy.com

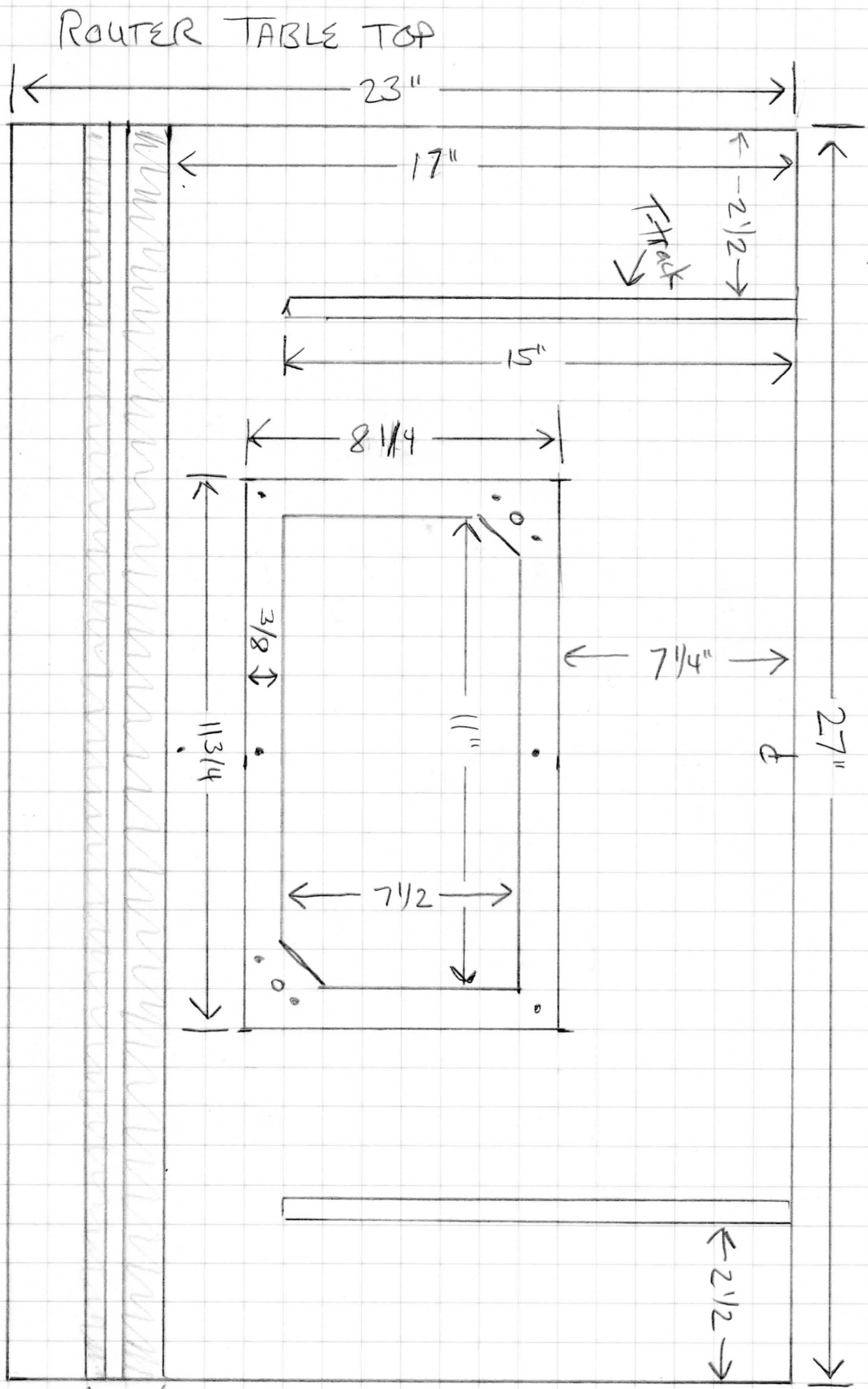
Gary Lundgren Crafts

Johnstown PA

814-410-2900

www.GLCrafts.com

All or Portions Copyright © 2017 by Gary W Lundgren dba Gary Lundgren Crafts. All rights reserved.



Dual Track
 15/16" W X
 1/2" Thick

NOT TO SCALE